

Installation instructions for PZ4AL-005050-00

Lexus RX 300, RX 350, RX 400h

Under run protective shield engine bay and transmission case

Lexus RX 300



Lexus RX 350



Lexus RX 400h



Lexus RX 300

Lexus RX 350

Lexus RX 400h

Model Year:

2003-2006

2008-2009

2008-

Vehicle Code:

MCU35L-AWAGKW

GGL15L-AWTGKW

MHU38L-AWXGKW

Part Number:

PZ4AL-005050-00

PZ4AL-005050-00

PZ4AL-005050-00



Weight:

9.4 kg

9.4 kg

9.4 kg



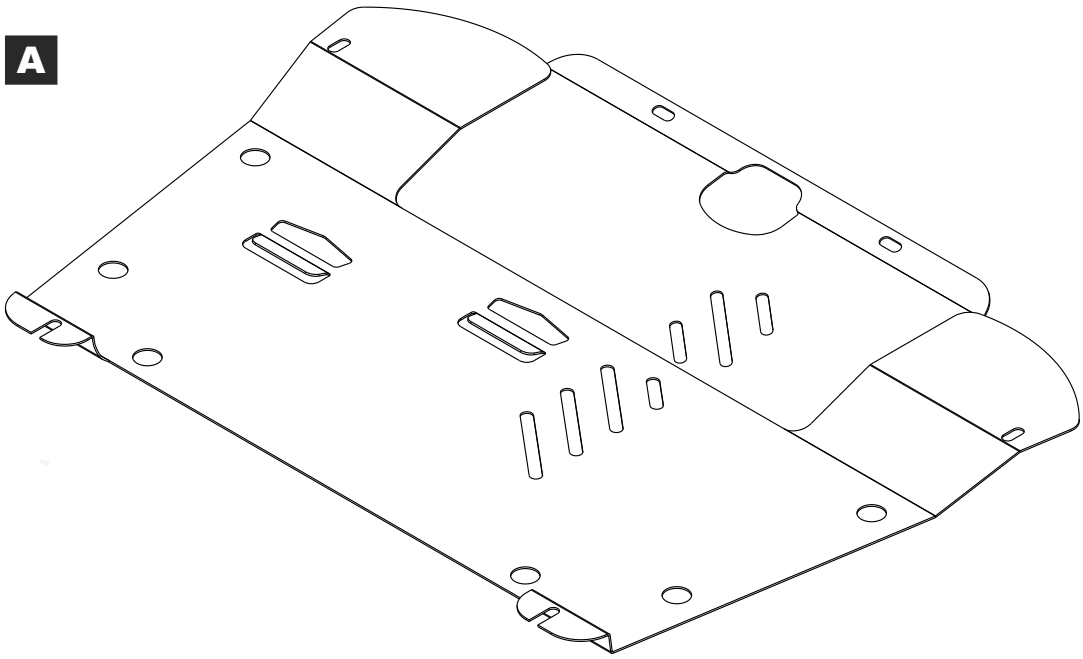
Installation Time:

15-30 min

15-30 min

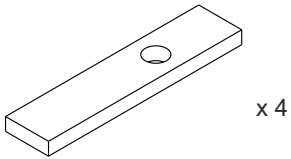
15-30 min

Part number: PZ4AL-005050-00

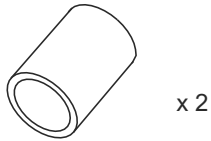


PZ4AL-005050-60

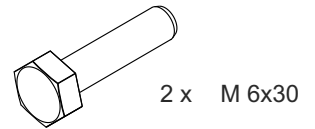
B



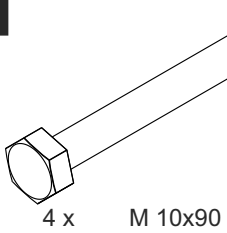
C



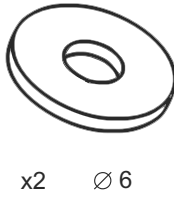
D



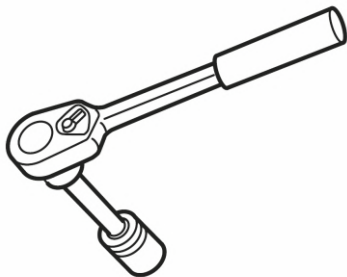
E



F



G



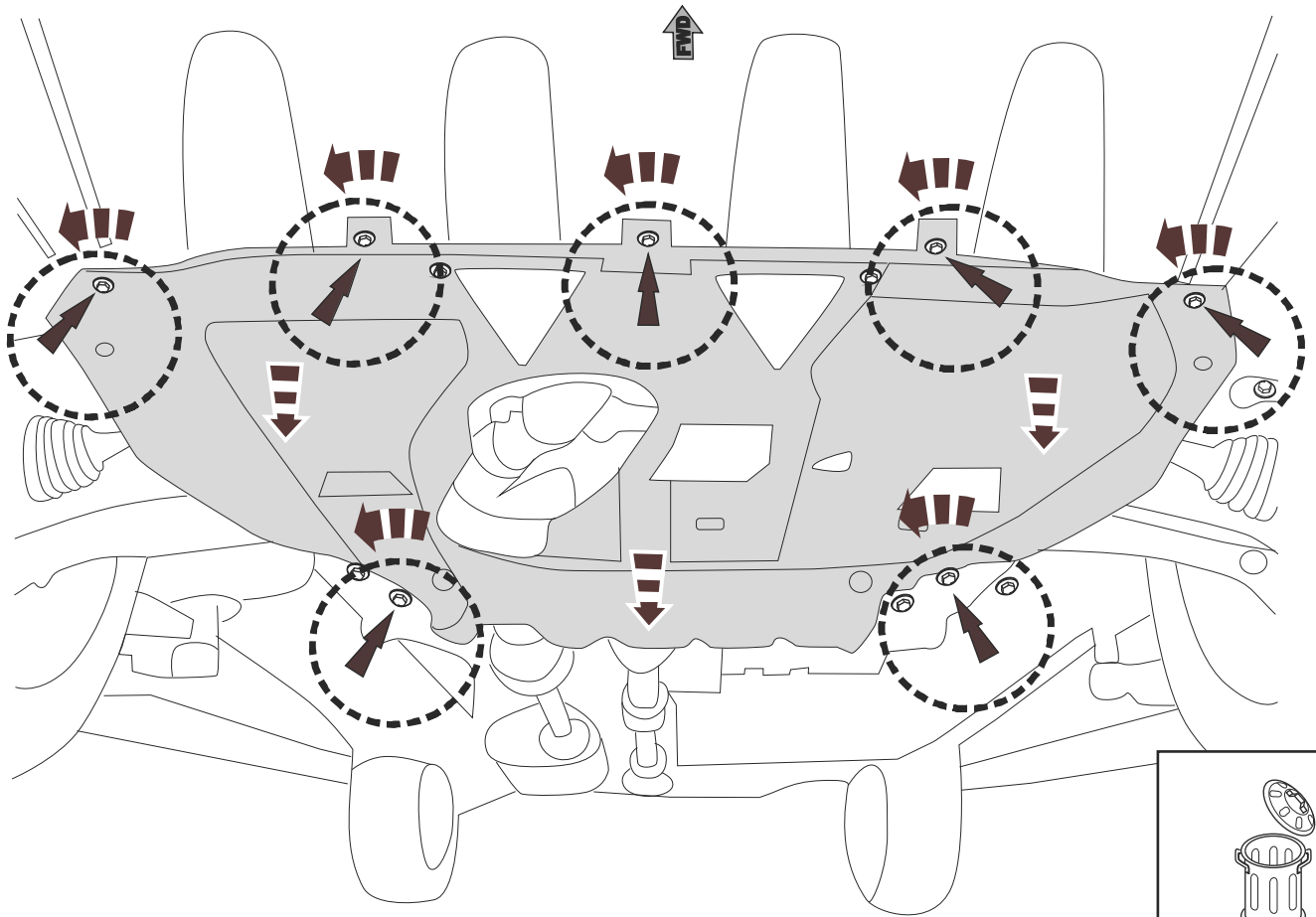
Part number:
PZ4AL-005050-00

Issue:
0

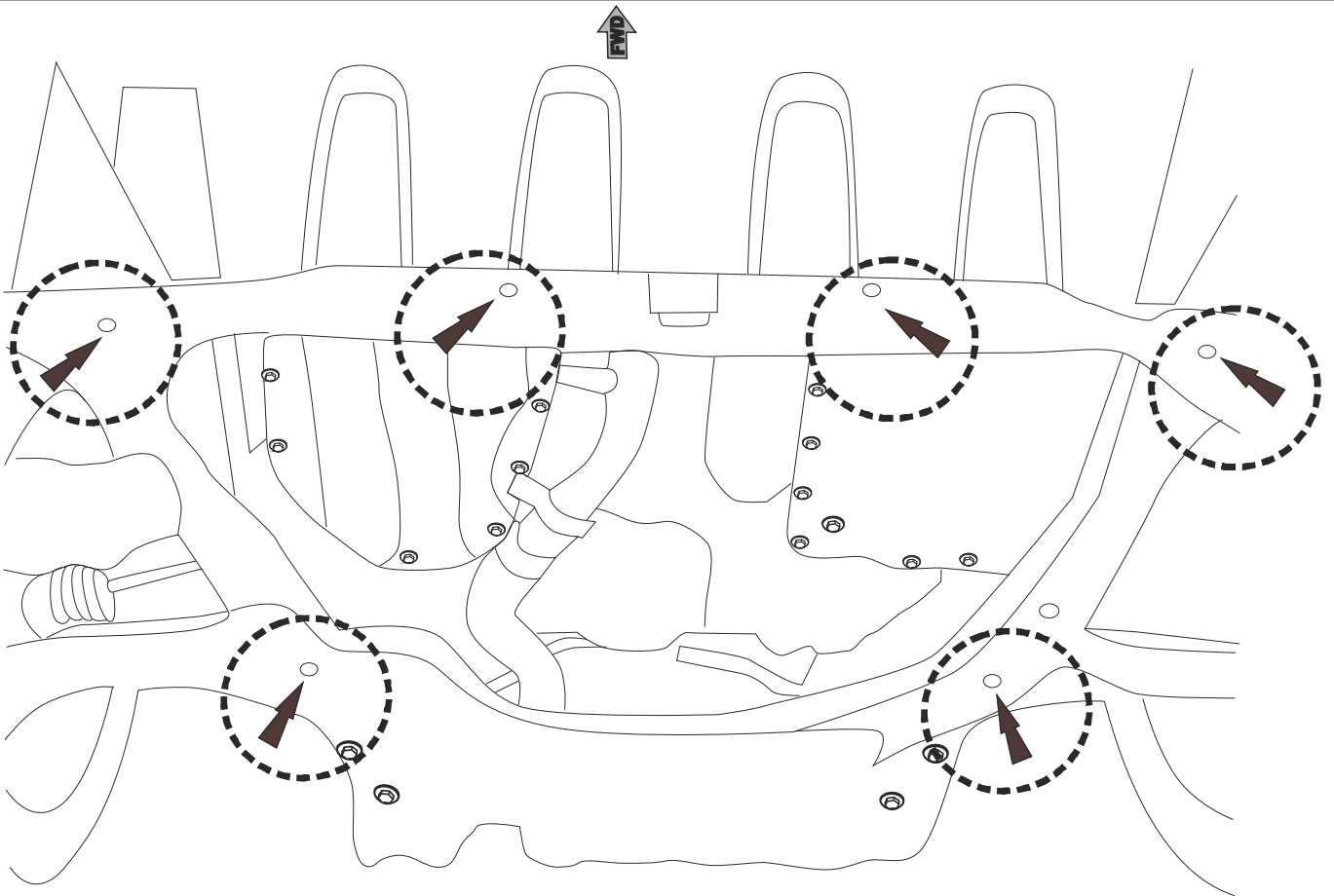
Date:
30/03/11

Page:
2/6

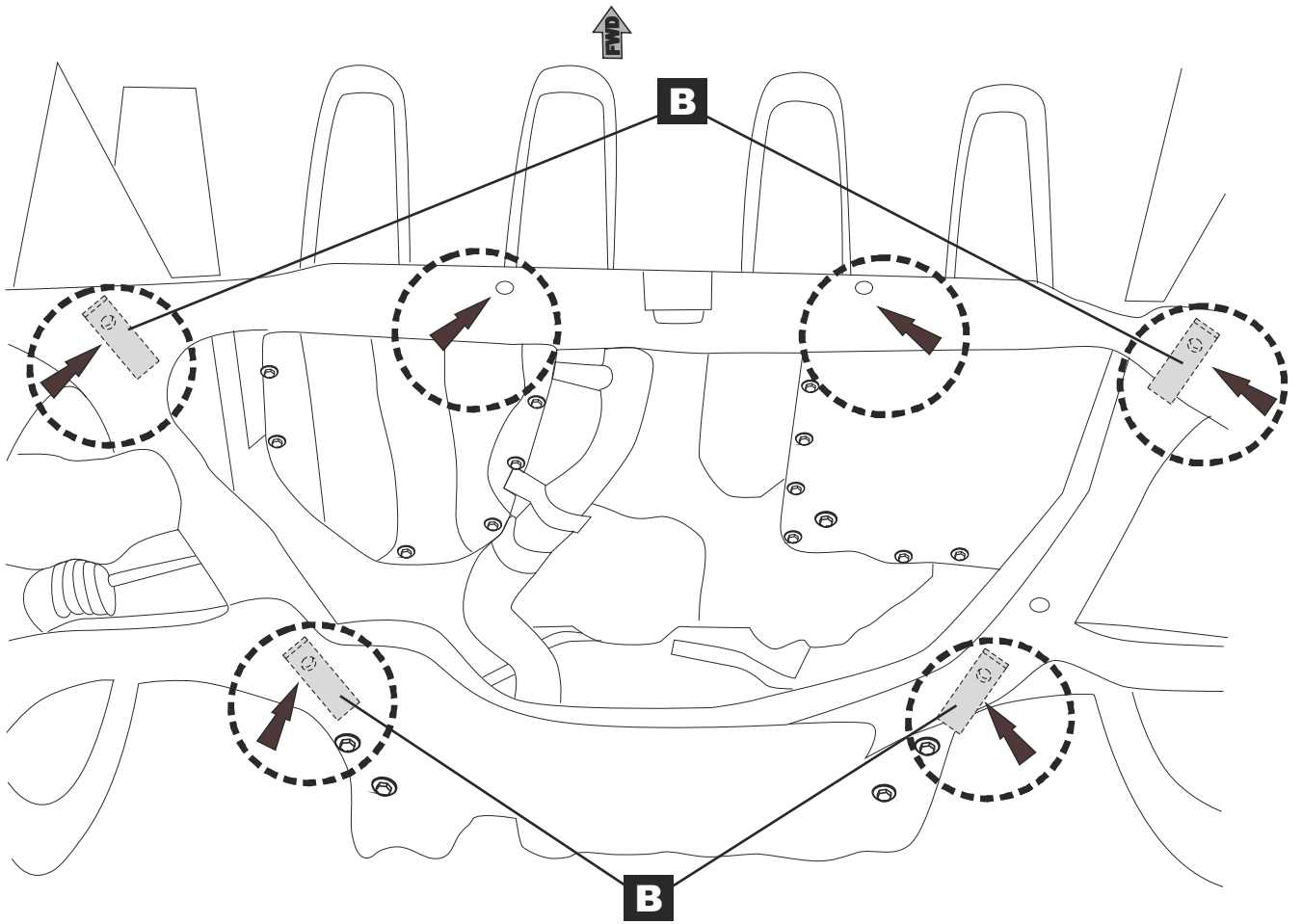
1



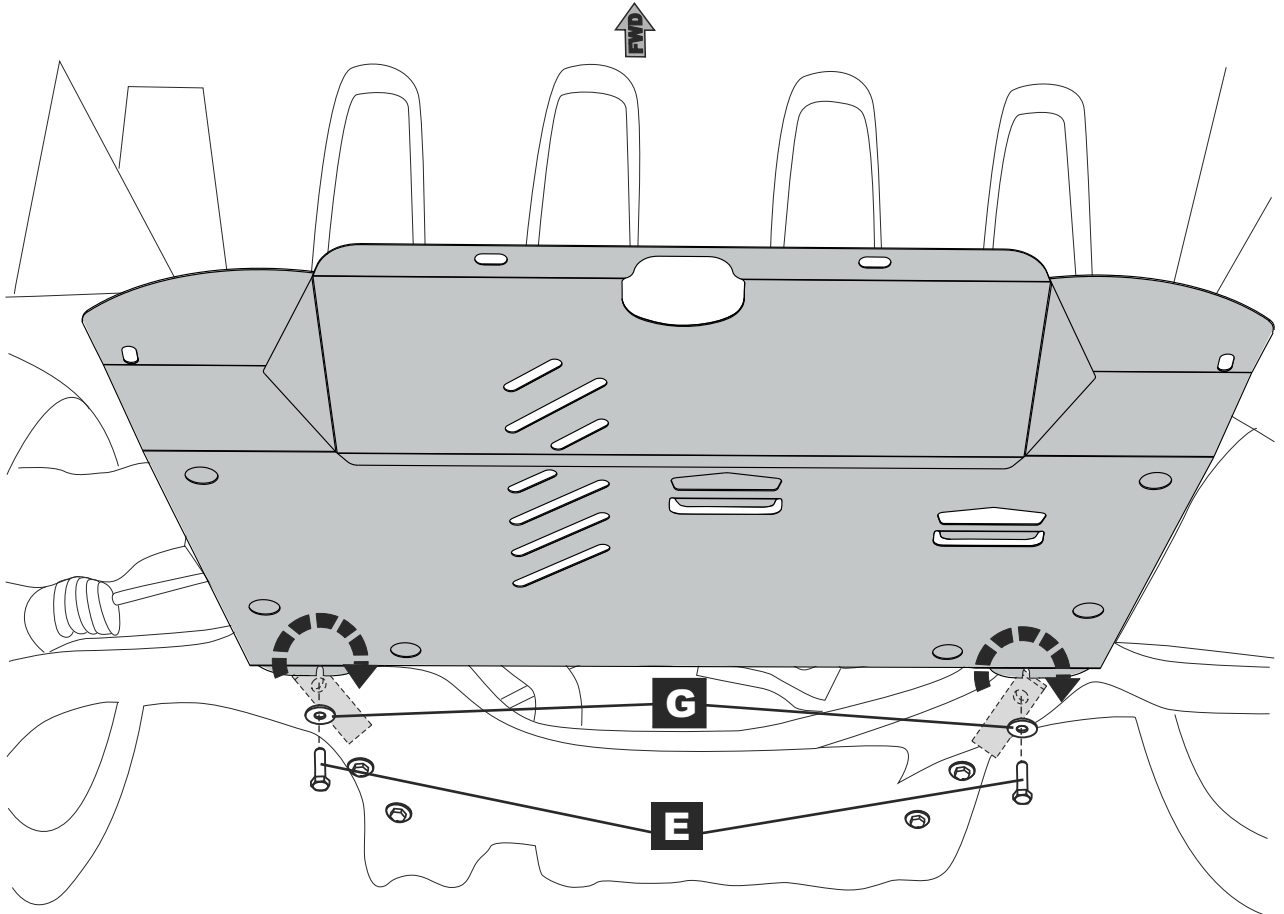
2



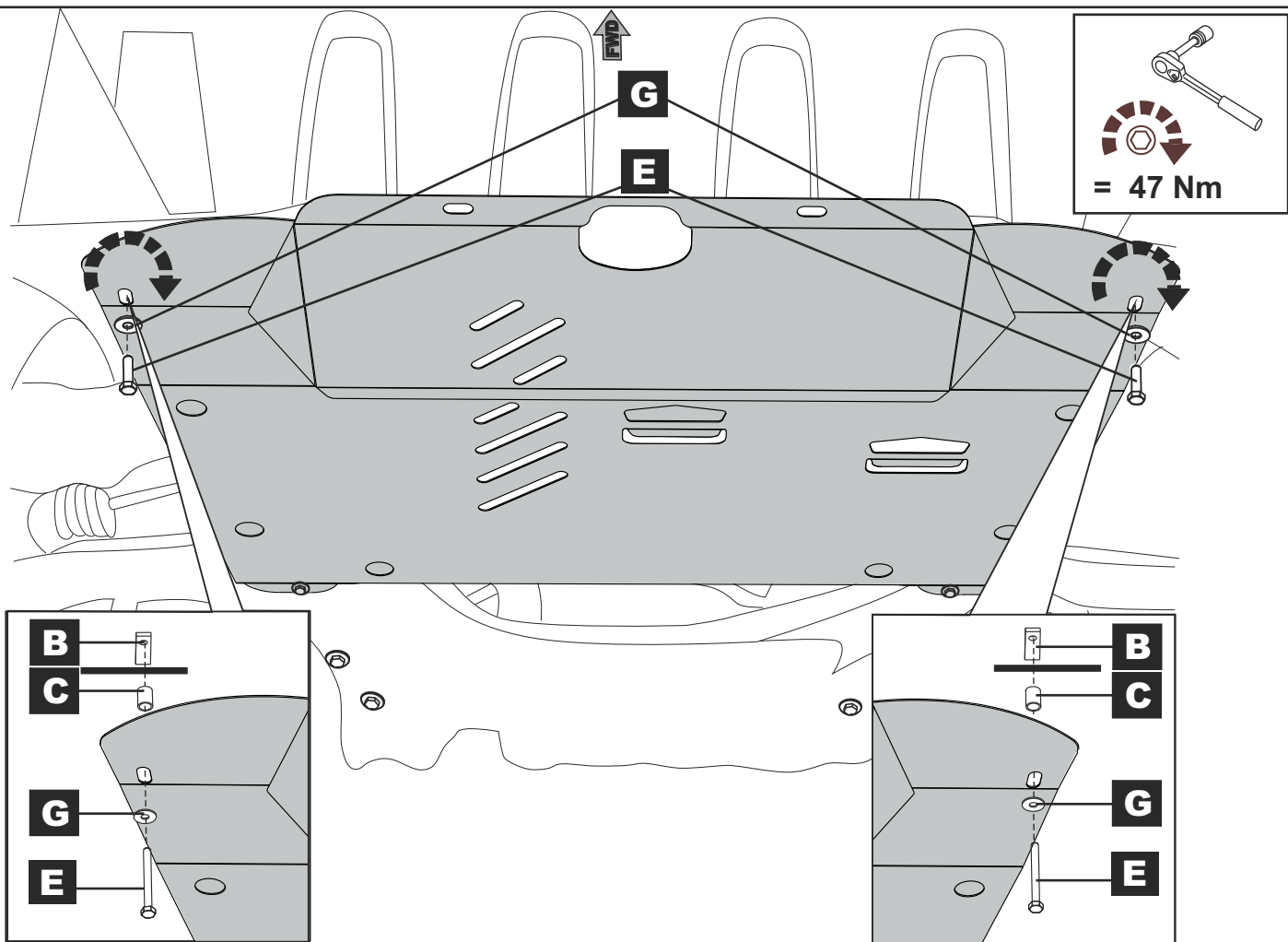
3



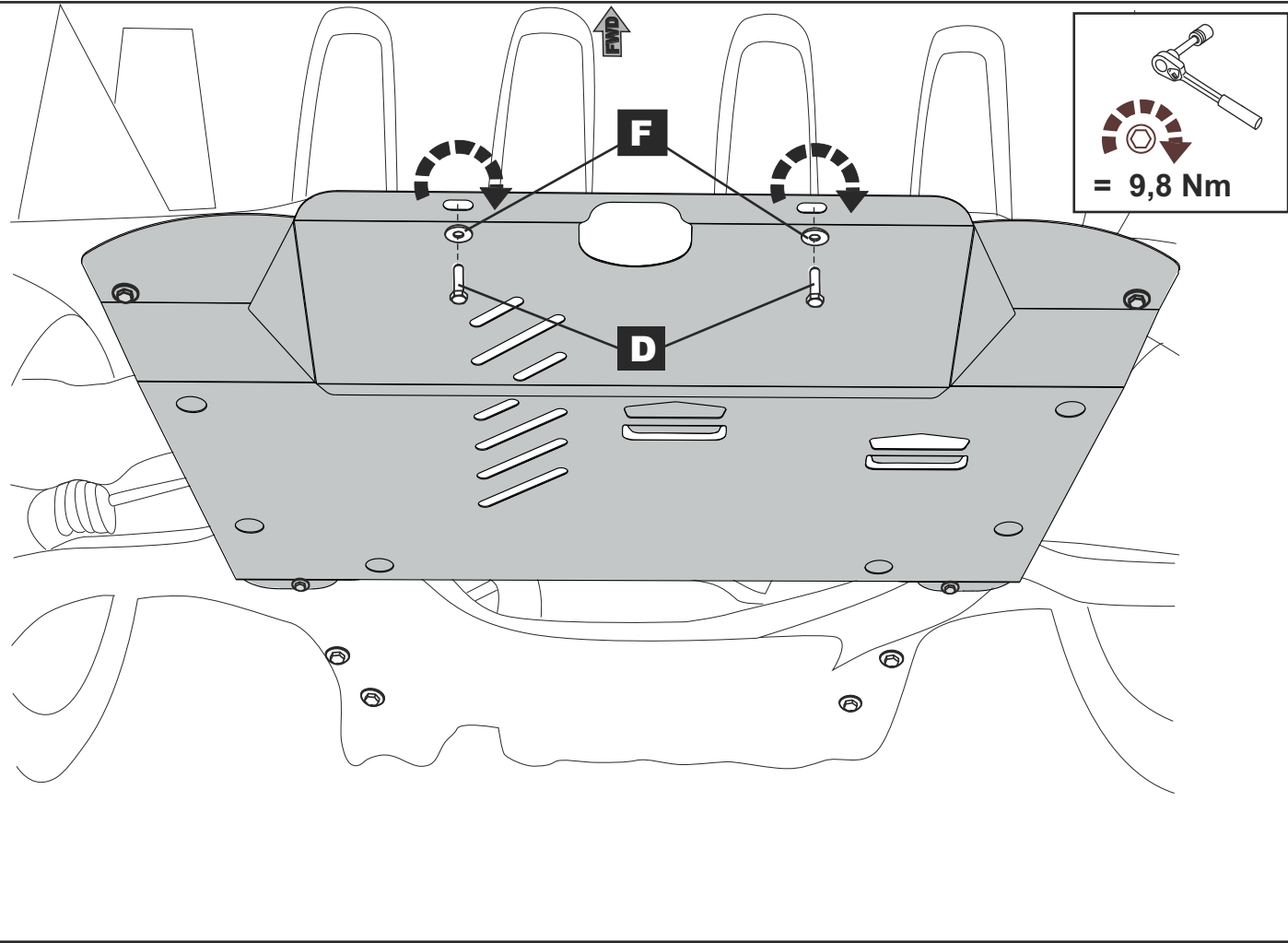
4



5



6



7

